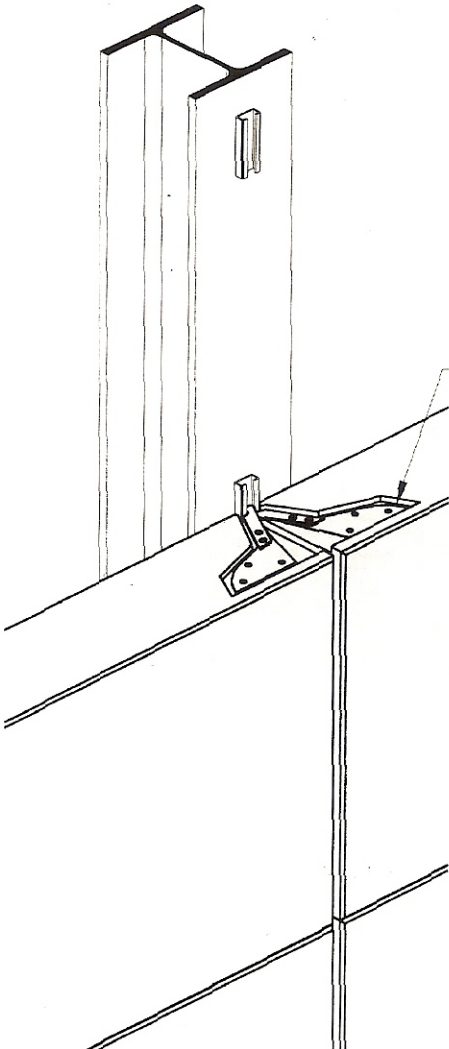
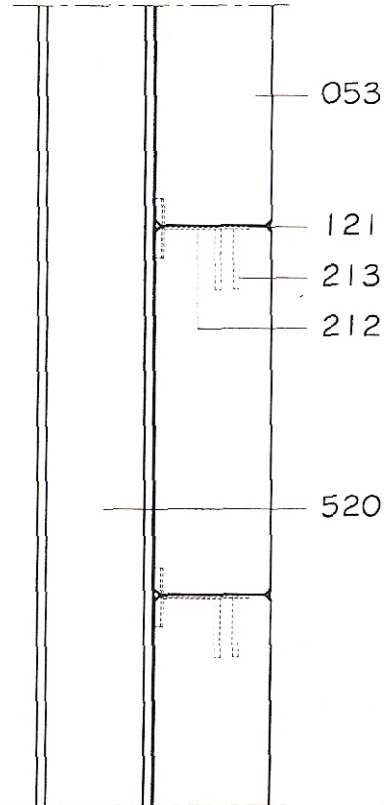
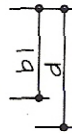
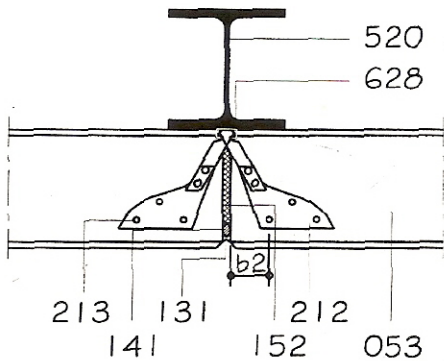


INTERMEDIATE ANCHORING OF HEBEL WALL PANELS

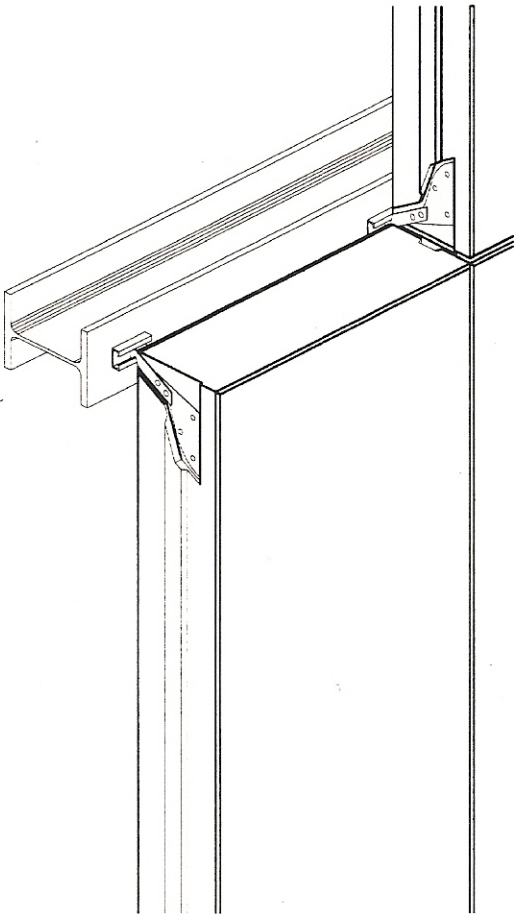
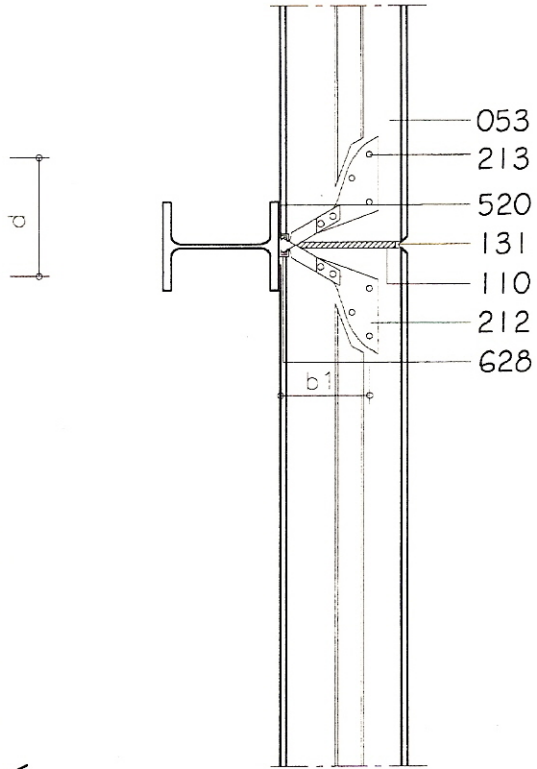
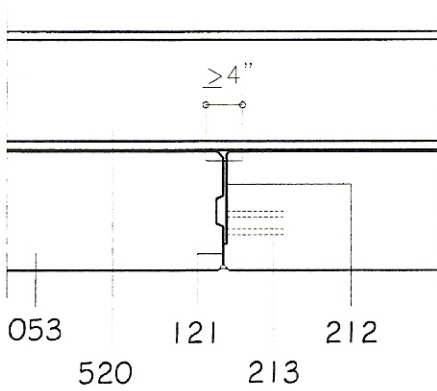


FIELD NOTCH

Allowable Tension (lb) For each Connector / Anchor						
Anchor Type	Panel Thickness d	Channel #	b1	b2	AAC-3.5	AAC-5.0
FIXINOX	≥ 6	38/17	4"	1 3/4"	181	210
	≥ 8	38/17	5 3/4"	2 1/2"	275	326

- 053 HEBEL WALL PANEL
- 121 HEBEL JOINT FILLER
- 131 HEBEL JOINT SEALER
- 141 BACKER ROD
- 152 MINERAL WOOL PANEL
- 212 WING CLIP FOR CONCEALED CONNECTION
- 213 TUBE NAIL
- 520 STEEL STRUCTURE
- 628 STEEL CHANNEL (FIELD WELDED)

ANCHORING OF VERTICAL HEBEL WALL PANELS AT PANEL SPLICE



Allowable tension (lbs) per Anchor					
Anchor Type FIXINOX	Panel Thickness t	Channel #	b1	AAC-3.5	AAC-5.0
71 817	6" & 7"	38/17	4"	275	320
70 817	>7"	38/17	5 3/4"	419	496

- 053 Hebel wall panels with tongue and groove
- 110 Type M mortar
- 121 Hebel Joint filler
- 131 Hebel Acrylic sealer
- 212 Wing Clip or Anchor
- 213 Tube nail
- 520 Steel Structure
- 628 Steel Channel