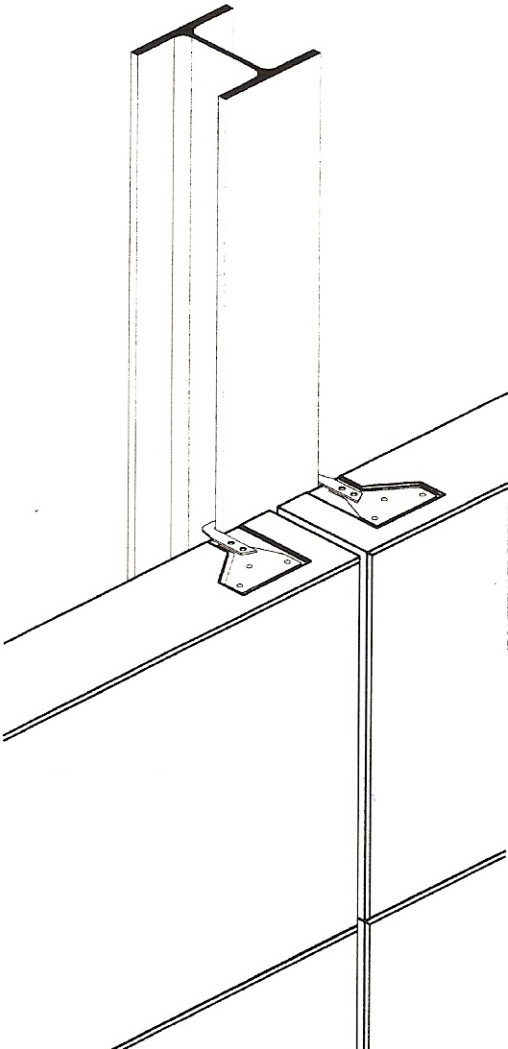
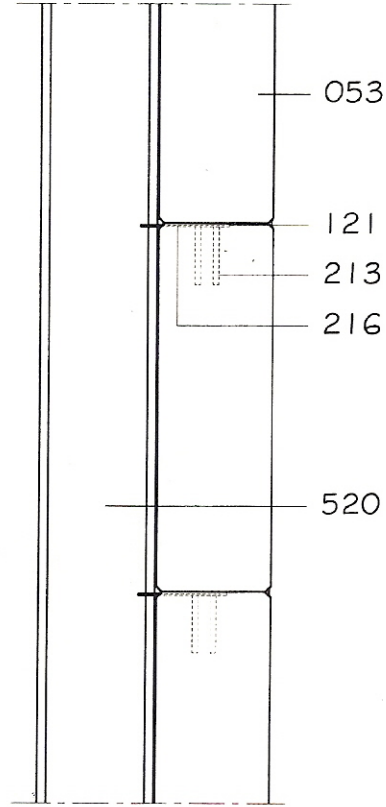
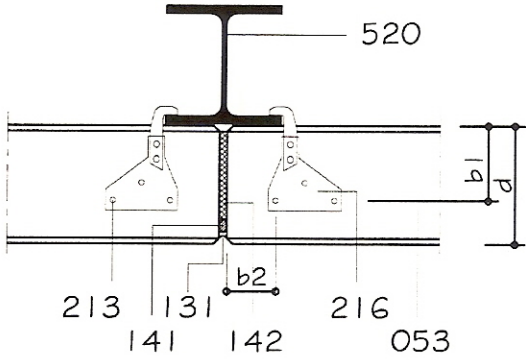


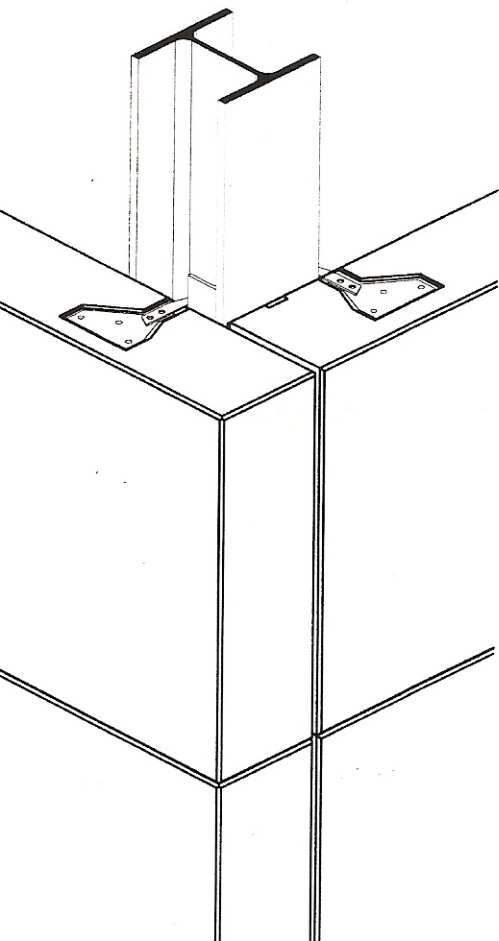
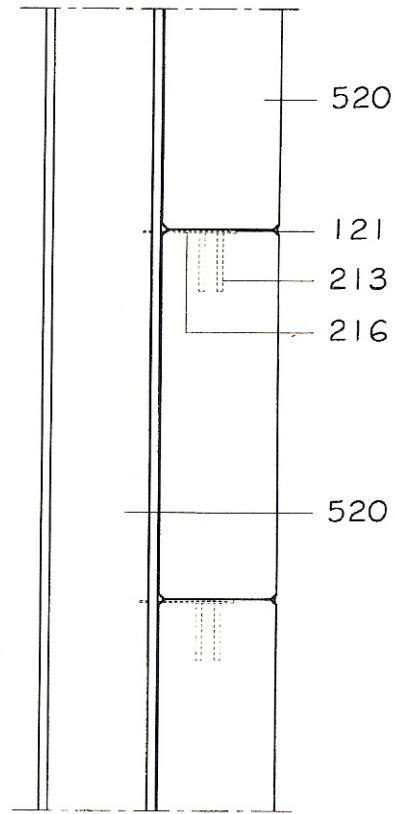
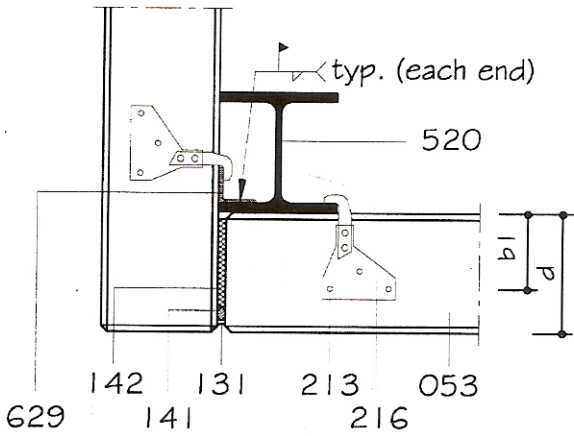
INTERMEDIATE ANCHORING OF HORIZONTAL HEBEL WALL PANELS



Allowable Tension (lb) per anchor					
Anchor Type FIXINOX	Panel Thickness d	b1	b2	AAC-3.5	AAC-5.0
69-910	6"	4"	1 3/4"	331	441
69-913	≥ 7"	5 1/8"	1 3/4"	386	496

- 053 Hebel wall panel
- 121 Hebel Panel joint filler
- 131 Hebel joint sealer
- 141 Backer Rod
- 142 Mineral wool panel
- 213 Tube nail
- 216 Hook clip - Most economical
- 520 Steel structure

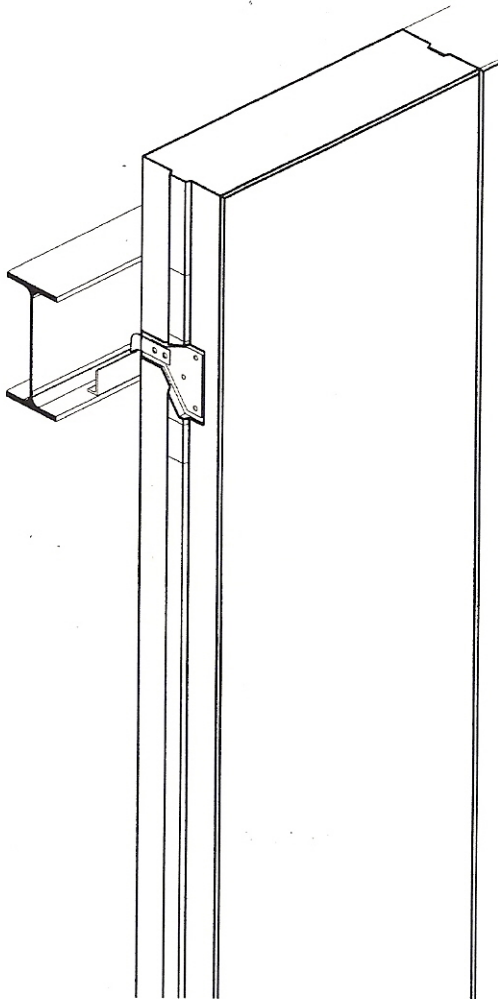
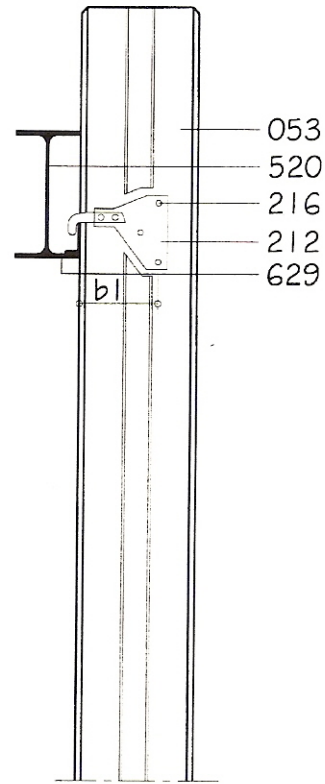
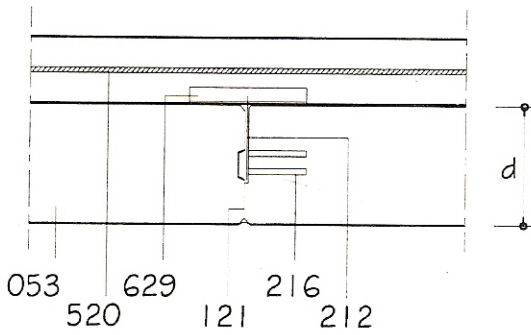
CORNER ANCHORING OF HORIZONTAL HEBEL WALL PANELS



Allowable Tension (lbs) per Anchor				
Anchor Type	Panel Thickness d	b1	AAC-3.5	AAC-5.0
69 910	≤ 6"	4"	331	441
69 913	> 7"	5~2"	386	496

- 053 Hebel wall panel
- 121 Hebel Joint filler
- 131 Hebel Joint sealer
- 141 Backer Rod
- 142 Mineral wool panel
- 213 Tube nail
- 216 Hook clip - Most economical
- 520 Steel Column
- 629 Steel angle Field Weld

ANCHORING OF VERTICAL HEBEL WALL PANELS



Allowable tension (lb) per anchor				
Anchor Type FIXINOX	Panel Thickness d	b1	AAC-3.5	AAC-5.0
69 910	≤6"	4"	331	441
69 913	>7"	5 ^h / ₈	386	496

- 053 Hebel wall panels with tongue and groove
- 121 Hebel Joint filler
- 216 Hook Clip - Most Economical
- 213 Tube nail
- 520 Steel beam
- 629 Steel Angle, Engineer to size